

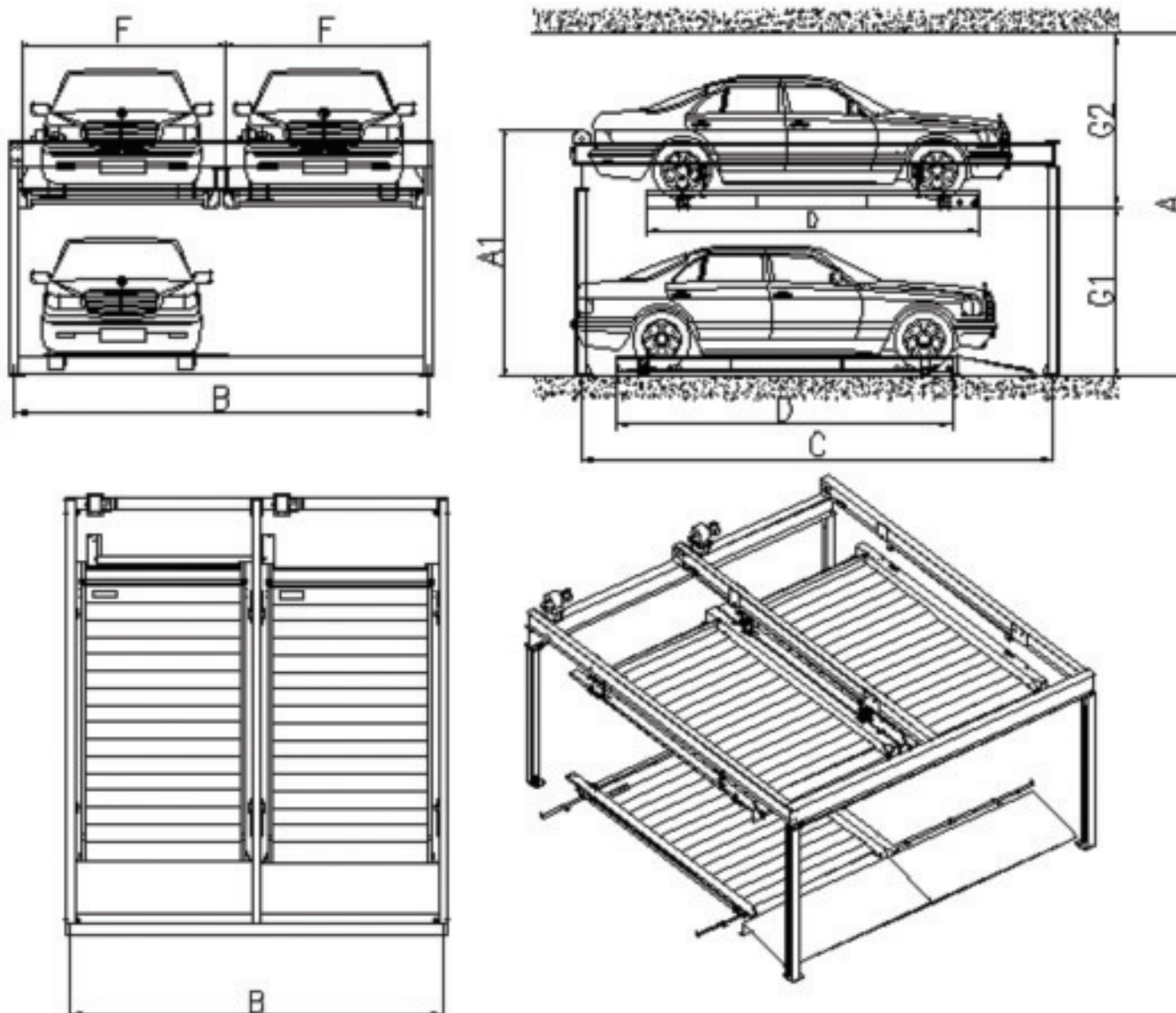
Models

Puzzle System (2 W - 2 H)

Specifications

Geometric Dimensions								
All Dimensions in mm	A	A1	B	C	D	F	G1	G2
	Min. Clear Height	Machine Height	Column C-T-C Width	Column C-T-C Length	Platform Length	Platform Width	1st Car Gap	2nd Car Gap
	4000 mm	2925 mm	5100 mm	5588 mm	4080 mm	2350 mm	2070 mm	1930 mm

Technical specifications	
Model	DSP2L-2
Capacity	Three Cars
Driven Manner Of Moving	Motor + Chain
Driven Manner Of Lifting	Motor + Chain
Lifting Time	30 SEC
Available Vehicle Weight	2500 KG
Electricity	AC 220/380 V

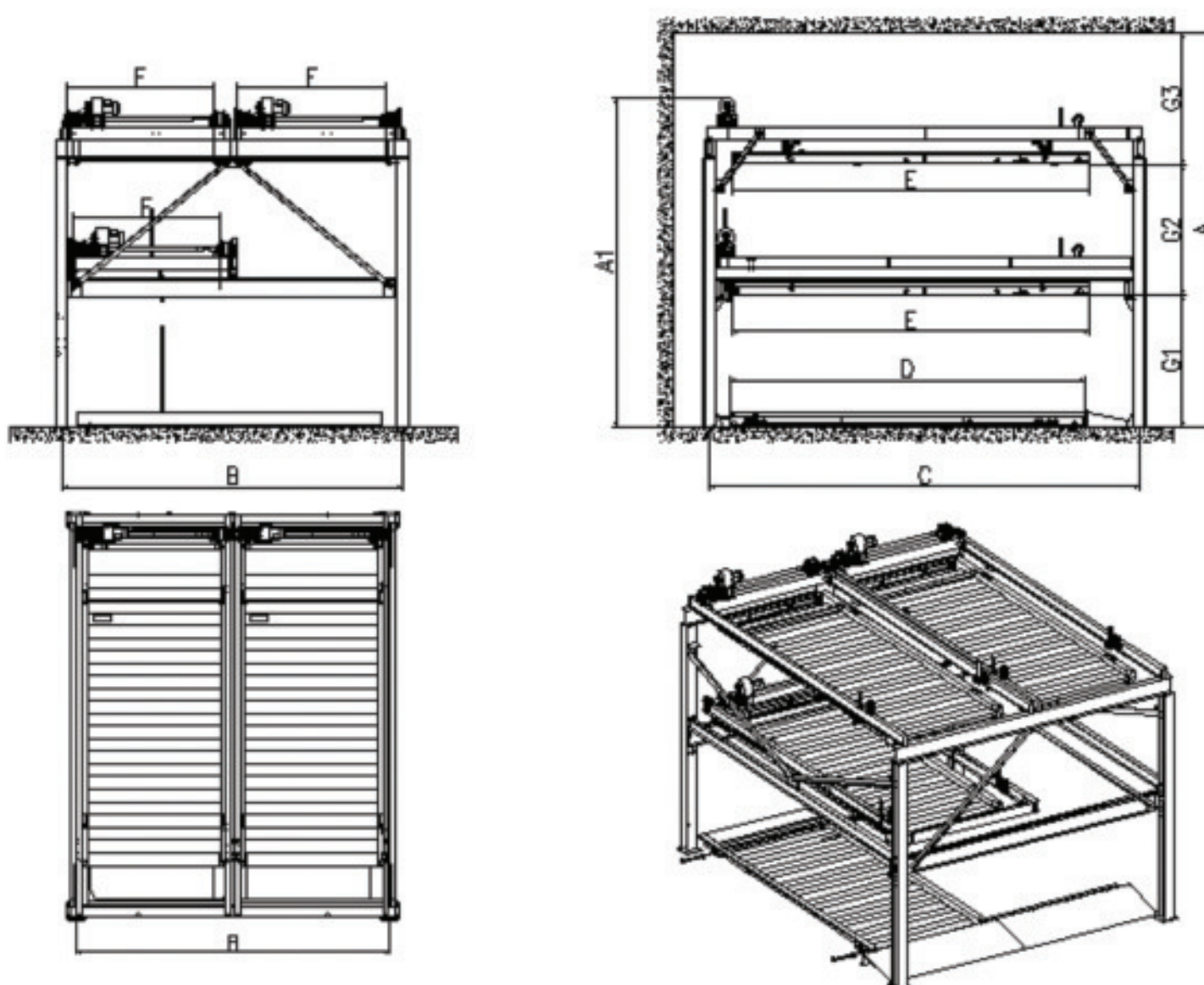


Puzzle System (2 W - 3 H)

Specifications

Geometric Dimensions											
All Dimensions in mm	A	A1	B	C	D	E	F	G1	G2	G3	
	Min. Clear Height	Machine Height	Column C-T-C Width	Column C-T-C Length	Ground Platform Length	Upper Platform Length	Platform Width	1 st Car Gap	2 nd Car Gap	3 rd Car Gap	
	6200 mm	5400 mm	5200 mm	6026 mm	4406 mm	4720 mm	2440 mm	1926 mm	1750 mm	1750 mm	

Technical Specifications	
Model	DSP3L-2
Capacity	Four Cars
Driven Manner Of Moving	Motor + Chains
Driven Manner Of Lifting	Motor + Chains
Lifting Time	30/60 SEC
Available Vehicle weight	2500 KG
Electricity	AC 220 / 380 V



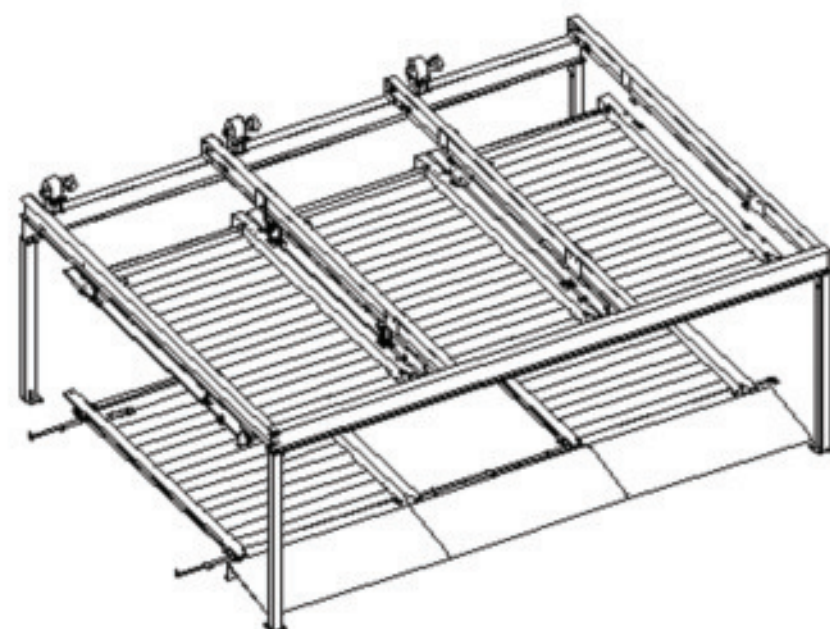
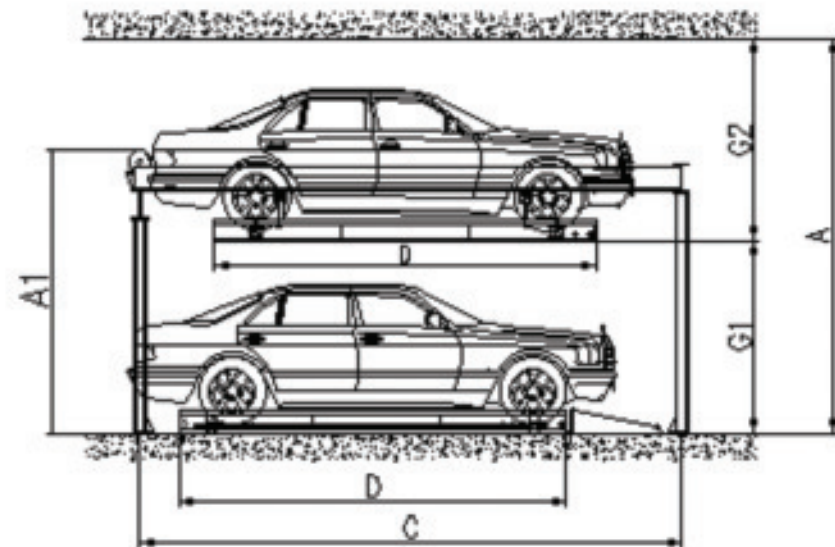
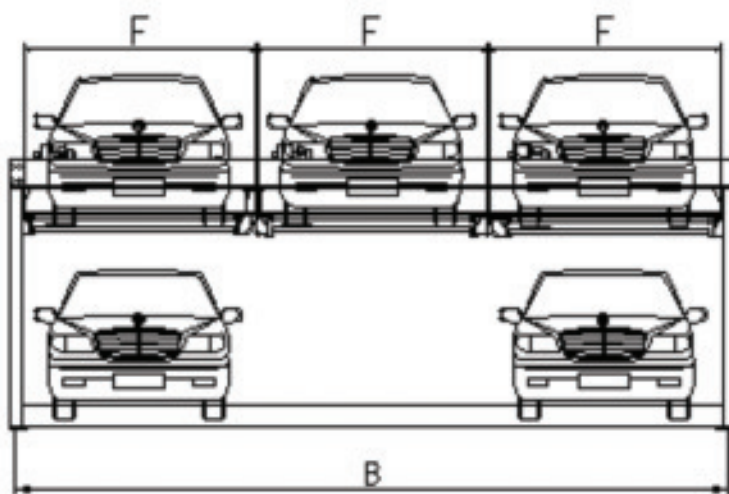
Models

Puzzle System (3W - 2H)

Specifications

Geometric Dimensions								
All Dimensions in mm	A	A1	B	C	D	F	G1	G2
	Min. Clear Height	Machine Height	Column C-T-C Width	Column C-T-C Length	Platform Length	Platform Width	1st Car Gap	2nd Car Gap
	4000 mm	2925 mm	7500 mm	5588 mm	4080 mm	2350 mm	2070 mm	1930 mm

Technical Specifications	
Model	DSP2L-3
Capacity	Five Cars
Driven Manner Of Moving	Motor + Chains
Driven Manner Of Lifting	Motor + Chains
Lifting Time	30 SEC
Available Vehicle Weight	2500 KG
Electricity	AC 220/380 V



Puzzle System (3 W - 4 H)

Specifications

Geometric Dimensions											
All Dimensions on mm	A	A1	B	C	D	E	F	G1	G2	G3	G4
	Min. Clear Height	Machine Height	Column C-T-C Width	Column C-T-C Length	Ground Platform Length	Upper Platform Length	Platform Width	1 st Car Gap	2 nd Car Gap	3 rd Car Gap	4 th Car Gap
	7360 mm	6560 mm	7800 mm	6026 mm	4406 mm	4720 mm	2440 mm	1926 mm	1750 mm	1750 mm	1750 mm

Technical specifications	
Model	DSP4L-3
Capacity	Nine cars
Driven Manner Of Moving	Motor & Chains
Driven Manner Of Lifting	Motor & Chains
Lifting Time	30/90 SEC
Available Vehicle Weight	2500 KG
Electricity	AC 220 / 380 V

